

CLX 3.0

Il telaio CLX 3.0 è completamente rinnovato per la stagione 2012. Il triangolo anteriore monoscocca annovera numerose novità: il cablaggio interno della guaina del freno posteriore, una serie sterzo a diametri differenziati C-HS1, una nuova forcella anteriore che si adatta perfettamente al nuovo sterzo.

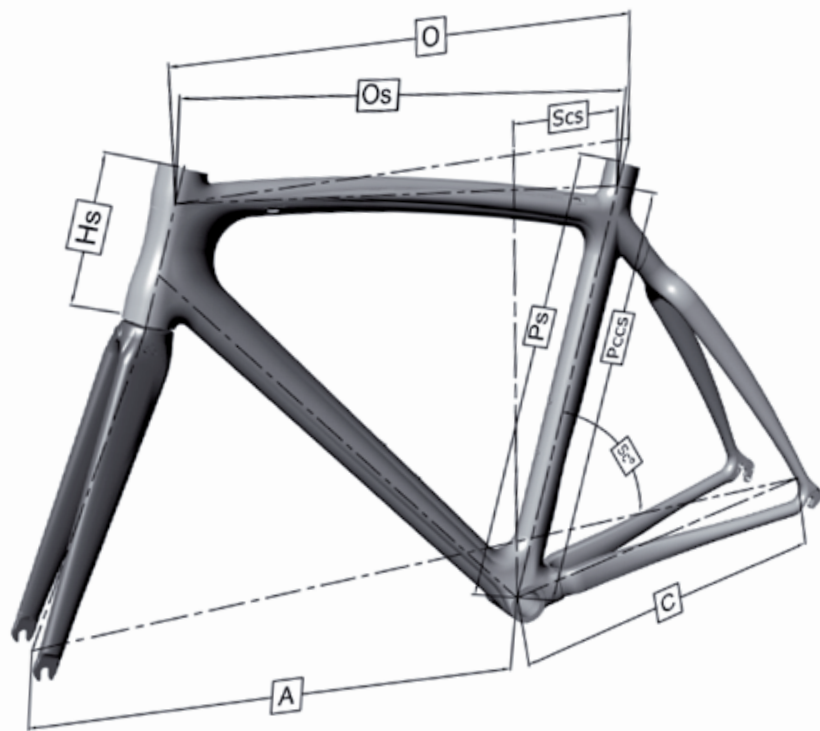
Il fodero posteriore orizzontale è stato sviluppato seguendo il family feeling di tutta la gamma Colnago e quindi assumendo una sezione quadra tale da garantire una maggior rigidità.

La novità più rilevante di questo prodotto è sicuramente la possibilità di montare un gruppo elettromeccanico Di2. Sarà disponibile in otto misure sloping. Anche in questo caso eccellenza e qualità Colnago.

CLX 3.0 frame is completely new in 2012. The monocoque front triangle has many new features: internal routing of the rear brake cable, new different section C-HS1 headset system and a new fork made to work perfectly in combination with the new headset.

The square chainstays have been developed following the design outlook of the whole Colnago range, having a square shaped cross section to guarantee more stiffness for greater pedalling efficiency.

The best news is the possibility to have it with the electronic Di2 groupset. It will be available in 8 different sloping sizes. CLX 3.0, quality and excellence from Colnago.



Technical size

Size	Ps	Os	Pccs	Scs	Sc°	A	C	Hs	P	O
42s	420	495	390	96	75.75°	580	401	119	510	510
45s	450	503	410	104	75.14°	585	403	122	515	518
48s	480	518	440	117	74.58°	589	408	129	520	532
50s	500	526	460	127	73.97°	591	410	147	540	540
52s	520	535	480	137	73.42°	594	412	164	560	547
54s	540	548	500	147	72.90°	596	414	176	580	563
57s	560	569	530	156	72.88°	606	414	183	610	583
59s	590	585	550	163	72.76°	617	414	203	630	595

Size	Dimensioni
Pccs	Lunghezza tubo sella (centro-centro)
Ps	Lunghezza tubo sella (centro-fine)
P	Lunghezza effettiva tubo sella
Os	Lunghezza tubo orizzontale
O	Lunghezza tubo orizzontale (effettivo)
Sc°	Angolo sella
Scs	Scostamento tubo sella
C	Lunghezza posteriori orizzontali
A	Passo anteriore
Hs	Altezza tubo sella

Size	Size
Pccs	Seat tube lenght (centre to centre)
Ps	Seat tube lenght (centre to top)
P	Effective seat tube lenght
Os	Top tube lenght
O	Top tube lenght (horizontal)
Sc°	Seat angle
Scs	Seat cluster offset
C	Chainstay lenght
A	Front centre
Hs	Tube lenght

CLX 3.0

Specific list

CLX 3.0 105

Frame	COLNAGO CLX 3.0
Fork	COLNAGO CLX 3.0
Chain Wheel	SHIMANO FC-R565 50X34T
Front Derailleur	SHIMANO 105
Rear Derailleur	SHIMANO 105
Derailleur Lever Set	SHIMANO 105
Gear	SHIMANO 105 10S 12-25T
Wheel Set	SHIMANO WH-R501
Tires	MICHELIN LITHION2 700x23C
Brakes	COLNAGO X-BRAKE 3
Handle Bar	COLNAGO RHM01
Handle Bar Stem	DEDA ZERO ONE
Saddle	COLNAGO Z4
Seat Post	COLNAGO CLX 3.0
__Head Set	FSA NO.63/51 28.6-49.6-33 H=20.9
__Seat Clamp	COLNAGO CLX 3.0
__Water Bottle Bolt	M4X0.75X8 2.5 HEX m/m STL

CLX 3.0 ULTEGRA Di2

Frame	COLNAGO CLX 3.0
Fork	COLNAGO CLX 3.0
Chain Wheel	SHIMANO ULTEGRA 50X34T
Front Derailleur	SHIMANO ULTEGRA Di2
Rear Derailleur	SHIMANO ULTEGRA Di2
Derailleur Lever Set	SHIMANO ULTEGRA Di2
Gear	SHIMANO ULTEGRA 10S 12-25T
Front Wheel Set	SHIMANO WH-RS30A
Tires	MICHELIN LITHION2 700x23C
Brakes	COLNAGO X-BRAKE 1
Handle Bar	DEDA NUOVA SFIDA
Handle Bar Stem	DEDA ZERO ONE
Saddle	COLNAGO Z2
Seat Post	COLNAGO CLX 3.0
__Head Set	FSA NO.63/51 28.6-49.6-33 H=20.9
__Seat Clamp	COLNAGO CLX 3.0
__Water Bottle Bolt	M4X0.75X8 2.5 HEX m/m STL

CLX 3.0 FORCE

Frame	COLNAGO CLX 3.0
Fork	COLNAGO CLX 3.0
Chain Wheel	SRAM FORCE 50X34T
Front Derailleur	SRAM FORCE
Rear Derailleur	SRAM FORCE
Derailleur Lever Set	SRAM FORCE
Gear	SRAM PG-1070 10SP 12-25T
Front Wheel	FULCRUM RACING 5
Tires	MICHELIN LITHION2 700x23C
Brakes	COLNAGO X-BRAKE 1
Handle Bar	DEDA RHM01
Handle Bar Stem	DEDA ZERO ONE
Saddle	COLNAGO Z2
Seat Post	COLNAGO CLX 3.0
__Water Bottle Bolt	M4X0.75X8 2.5 HEX m/m STL
__Seat Clamp	COLNAGO CLX 3.0
__Head Set	FSA NO.63/51 28.6-49.6-33 H=20.9

CLX 3.0 ULTEGRA

Frame	COLNAGO CLX 3.0
Fork	COLNAGO CLX 3.0
Chain Wheel	SHIMANO ULTEGRA 50X34T
Front Derailleur	SHIMANO ULTEGRA
Rear Derailleur	SHIMANO ULTEGRA
Derailleur Lever Set	SHIMANO ULTEGRA
Gear	SHIMANO ULTEGRA 10S 12-25T
Wheel Set	SHIMANO WH-RS30A
Tires	MICHELIN LITHION2 700x23C
Brakes	COLNAGO X-BRAKE 1
Handle Bar	DEDA NUOVA SFIDA
Handle Bar Stem	DEDA ZERO ONE
Saddle	COLNAGO Z2
Seat Post	COLNAGO CLX 3.0
__Water Bottle Bolt	M4X0.75X8 2.5 HEX m/m STL
__Seat Clamp	COLNAGO CLX 3.0
__Head Set	FSA NO.63/51 28.6-49.6-33 H=20.9

	Chain Wheel	Stem	Handlebar (External-External)
42sl	165mm	80mm	42
45sl	170mm	90mm	42
48sl	170mm	100mm	42
50sl	170mm	110mm	42
52sl	172.5mm	120mm	44
54sl	172.5mm	120mm	44
57sl	175mm	130mm	44
59sl	175mm	130mm	46